
**Photography — Camera accessory
shoes, with and without electrical
contacts, for photoflash lamps and
electronic photoflash units —
Specification**

*Photographie — Griffes pour accessoires d'appareils de prises de vue,
avec et sans contacts électriques pour lampes à éclairs et équipements
électroniques à éclairs — Spécifications*

iTeh STANDARD PREVIEW
(standards.iteh.ai)

ISO 518:2006

<https://standards.iteh.ai/catalog/standards/sist/258d4f2f-5dbc-4b73-85ad-a8843147396d/iso-518-2006>



PDF disclaimer

This PDF file may contain embedded typefaces. In accordance with Adobe's licensing policy, this file may be printed or viewed but shall not be edited unless the typefaces which are embedded are licensed to and installed on the computer performing the editing. In downloading this file, parties accept therein the responsibility of not infringing Adobe's licensing policy. The ISO Central Secretariat accepts no liability in this area.

Adobe is a trademark of Adobe Systems Incorporated.

Details of the software products used to create this PDF file can be found in the General Info relative to the file; the PDF-creation parameters were optimized for printing. Every care has been taken to ensure that the file is suitable for use by ISO member bodies. In the unlikely event that a problem relating to it is found, please inform the Central Secretariat at the address given below.

iTeh STANDARD PREVIEW
(standards.iteh.ai)

ISO 518:2006

<https://standards.iteh.ai/catalog/standards/sist/258d4f2f-5dbc-4b73-85ad-a8843147396d/iso-518-2006>

© ISO 2006

All rights reserved. Unless otherwise specified, no part of this publication may be reproduced or utilized in any form or by any means, electronic or mechanical, including photocopying and microfilm, without permission in writing from either ISO at the address below or ISO's member body in the country of the requester.

ISO copyright office
Case postale 56 • CH-1211 Geneva 20
Tel. + 41 22 749 01 11
Fax + 41 22 749 09 47
E-mail copyright@iso.org
Web www.iso.org

Published in Switzerland

Foreword

ISO (the International Organization for Standardization) is a worldwide federation of national standards bodies (ISO member bodies). The work of preparing International Standards is normally carried out through ISO technical committees. Each member body interested in a subject for which a technical committee has been established has the right to be represented on that committee. International organizations, governmental and non-governmental, in liaison with ISO, also take part in the work. ISO collaborates closely with the International Electrotechnical Commission (IEC) on all matters of electrotechnical standardization.

International Standards are drafted in accordance with the rules given in the ISO/IEC Directives, Part 2.

The main task of technical committees is to prepare International Standards. Draft International Standards adopted by the technical committees are circulated to the member bodies for voting. Publication as an International Standard requires approval by at least 75 % of the member bodies casting a vote.

Attention is drawn to the possibility that some of the elements of this document may be the subject of patent rights. ISO shall not be held responsible for identifying any or all such patent rights.

ISO 518 was prepared by Technical Committee ISO/TC 42, *Photography*.

This second edition cancels and replaces the first edition (ISO 518:1977), of which Table 1 and Figure 1 have been technically revised.

TC42 STANDARD PREVIEW
(standards.iteh.ai)

ISO 518:2006

<https://standards.iteh.ai/catalog/standards/sist/258d4f2f-5dbc-4b73-85ad-a8843147396d/iso-518-2006>

iTeh STANDARD PREVIEW
(standards.iteh.ai)

ISO 518:2006

<https://standards.iteh.ai/catalog/standards/sist/258d4f2f-5dbc-4b73-85ad-a8843147396d/iso-518-2006>

Photography — Camera accessory shoes, with and without electrical contacts, for photoflash lamps and electronic photoflash units — Specification

1 Scope

This International Standard specifies the dimensions of camera accessory shoes, with and without electrical contacts, for photoflash lamps and electronic photoflash units. The dimensions given in Figures 1 and 2 are basic for the solid shoe. When an accessory shoe is equipped with springs or other devices for holding the accessory foot tightly or maintaining good electrical contact, the dimensions of the shoe can be changed within the range in which their interchangeability and functions will not be affected.

2 Dimensions

The dimensions shall be as given in Figures 1 and 2.

3 Construction details

3.1 Accessory shoes with and without electrical contact

3.1.1 Clearance for the accessory equipment

3.1.1.1 A rectangular area, Area A of Figure 3, extending 12,5 mm in front, 25,0 mm at the back of the shoe and 25,0 mm to the right and to the left of the centre of the shoe, shall be devoid of obstruction higher than 2,0 mm above the top surface of the shoe.

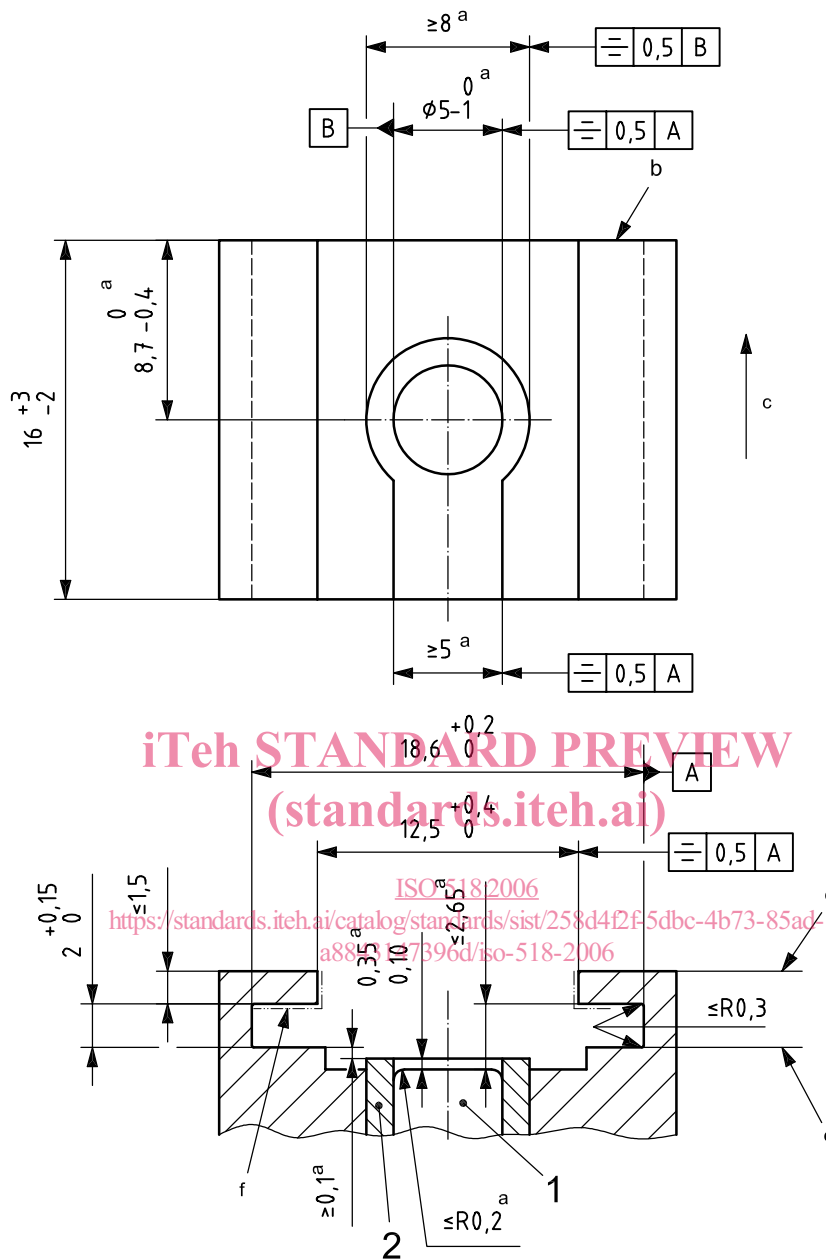
3.1.1.2 A circular area, Area B of Figure 3, of diameter 30,0 mm, located as dimensioned in Figure 3, shall be devoid of obstruction higher than the top surface of the shoe.

3.1.2 Clearance for insertion of the accessory equipment foot

A rectangular area, Area C of Figure 3, extending 25,0 mm from the back of the shoe and 20,0 mm wide, shall be devoid of any obstruction above the plane of the base surface of the shoe.

3.2 Accessory shoes with electrical contacts

The electrical contact surface (\varnothing 5 mm of Figure 1) shall be flat and the edge rounded off. The insulation resistance shall be no less than 30 M Ω when tested at between 0 °C and 40 °C and a relative humidity of 40 % to 85 %.



Key

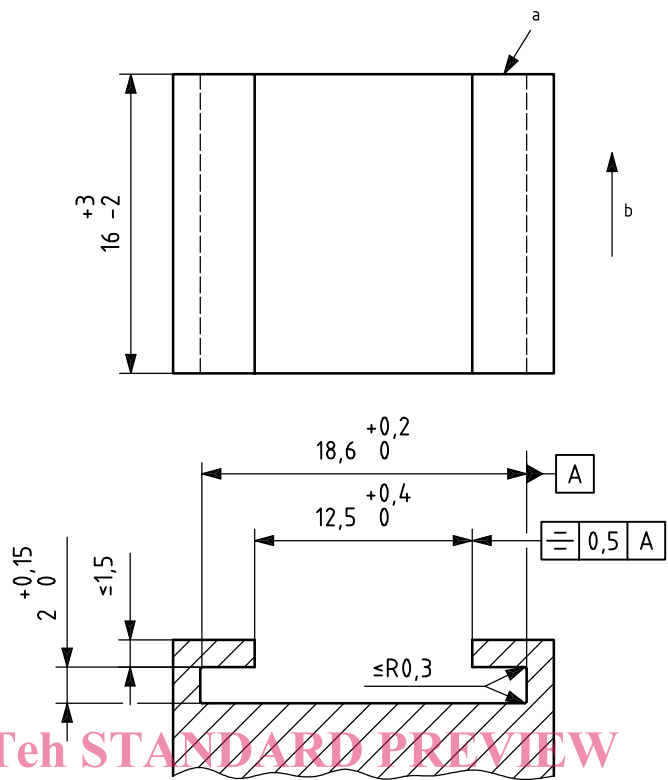
- 1 contact
- 2 insulation

- a Applies only to accessory shoes with electrical contacts.
- b Stopping plane.
- c Direction of foot insertion.
- d Top surface.
- e Base surface.
- f The shoe shall provide electrical contact at these surfaces which shall also be camera bodyground.

NOTE The symbol \equiv denotes "symmetry" as defined in ISO 1101:2004, 4.12.

Figure 1 — Camera accessory shoe with electrical contacts

Dimensions in millimetres



iTeh STANDARD PREVIEW
(standards.iteh.ai)

Key

- a Stopping plane.
- b Direction of foot insertion.

ISO 518:2006

<https://standards.iteh.ai/catalog/standards/sist/258d4f2f-5dbc-4b73-85ad-a8843147396d/iso-518-2006>

Figure 2 — Camera accessory shoe without electrical contacts

Bibliography

- [1] ISO 1101:2004, *Geometrical Product Specifications (GPS) — Geometrical tolerancing — Tolerances of form, orientation, location and run-out*

iTeh STANDARD PREVIEW
(standards.iteh.ai)

[ISO 518:2006](https://standards.iteh.ai/catalog/standards/sist/258d4f2f-5dbc-4b73-85ad-a8843147396d/iso-518-2006)

<https://standards.iteh.ai/catalog/standards/sist/258d4f2f-5dbc-4b73-85ad-a8843147396d/iso-518-2006>